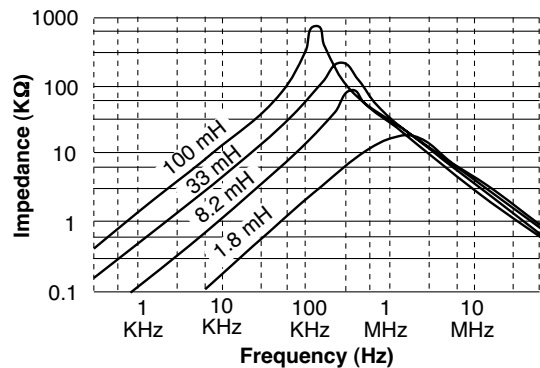


- Used as AC Power Line Filters in CTV, VTR, Audios, PC's, Facsimilies and Power Supply Applications
- UL940-V Recognized Materials
- Temperature Rise : 45°C Max.
- UL1446 Insulating System
- 2000 Vrms Isolation

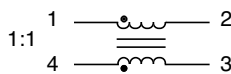
### Electrical Parameters @ 25° C

Part Number	Inductance (mH Min.) [Pins 1-2, 4-3]	Current Rating (A rms Max.)
EPZ3051M-501	0.5	2.0
EPZ3051M-601	0.6	1.7
EPZ3051M-801	0.8	1.5
EPZ3051M-102	1.0	1.3
EPZ3051M-202	2.0	1.0
EPZ3051M-352	3.5	0.8
EPZ3051M-502	5.0	0.7
EPZ3051M-702	7.0	0.6
EPZ3051M-802	8.0	0.5
EPZ3051M-153	15	0.4
EPZ3051M-203	20	0.3
EPZ3051M-283	28	0.2

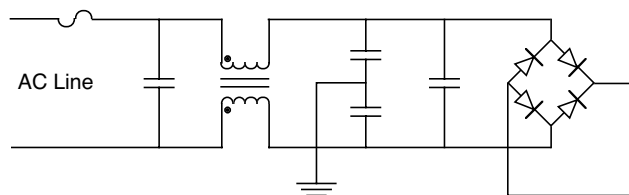
### Impedance Characteristics



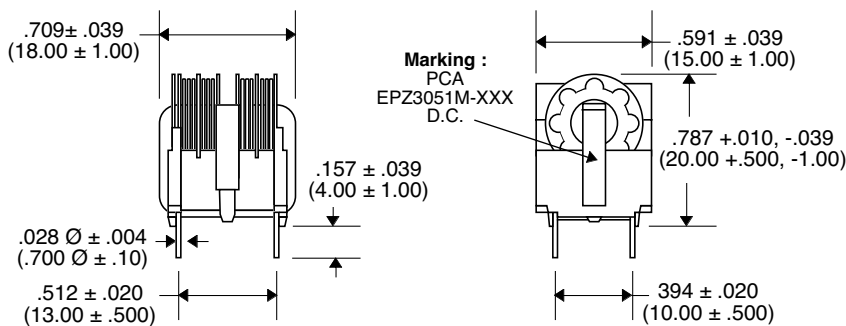
### Schematic



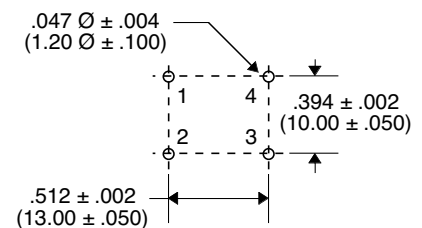
### Circuit Sample



### Package



### Recommended PWB Piercing Plan



Unless Otherwise Specified Dimensions are in Inches /mm ± .010 / .25